



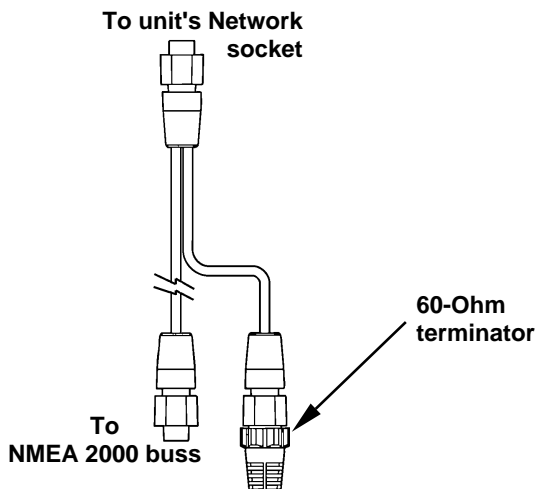
## 60-Ohm Terminator

### Installation Instructions

This package contains a 60-Ohm terminator for use with a Lowrance product running an LGC-2000 GPS module.

#### NOTE:

The LGC-2000 *will not operate* unless connected to a terminated circuit. If you are *not* connecting the LGC-2000 to an existing NMEA 2000 buss (as described in the LGC-2000 instruction sheet, part 988-0147-981), you must attach this 60-Ohm terminator to the shorter branch on the LGC-2000's 25-foot Y-adaptor extension cable.



#### LGC-2000 Y-adaptor extension cable with 60-Ohm terminator.

The LGC-2000 extension cable's Y-adaptor should come packaged with this 60-Ohm terminator already attached to it. ***Do not remove this terminator unless you're connecting the module to an existing NMEA 2000 buss.*** If you've purchased this terminator as a replacement, attach it as shown in the image above.

#### NOTE:

An existing operational NMEA 2000 buss will already have terminators in place and will already be powered. If you're connecting to such a network, you won't need the terminators or extension cable provided. ***Do not add*** terminators to a functional NMEA 2000 buss!